

THESE INSTRUCTIONS SHOULD NOT BE FAXED OR REPRODUCED ON A DIGITAL COPIER. AMERICAN WOODMARK CORPORATION PROVIDES THESE INSTRUCTIONS ON AN "AS IS" BASIS AND DISCLAIMS ANY AND ALL LIABILITY FOR ANY INACCURACIES, OMISSIONS OR TYPOGRAPHICAL ERRORS CAUSED BY ANY THIRD PARTY'S EQUIPMENT. When you use these instructions, you are consenting to be bound by the provisions in this paragraph. These instructions provide an illustrative method for installing American Woodmark Corporation ("AWC") cabinets and/or accessories. AWC's instructions are not intended to address every possible contingency that might be encountered during installation or to endorse the use of any particular tools. AWC HEREBY EXPRESSLY DISCLAIMS ALL LIABILITY FOR ANY CLAIMS FOR INJURY OR DEATH RELATED TO OR BASED UPON THE USE OF THESE INSTALLATION INSTRUCTIONS AND ANY INSTALLATION INSTRUCTIONS OTHERWISE PROVIDED BY AWC.

ESTAS INSTRUCCIONES NO SE DEBEN ENVIAR POR FAX NI SE DEBEN REPRODUCIR EN UNA COPIADORA DIGITAL. AMERICAN WOODMARK CORPORATION PROPORCIONA ESTAS INSTRUCCIONES "TAL COMO ESTAN" Y RENUNCIA A CUALQUIER Y A TODA RESPONSABILIDAD POR CUALQUIER FALTA DE PRECISION, OMISION O ERROR TIPOGRAFICO CAUSADO POR EL EQUIPO DE TERCERAS PERSONAS. Al utilizar estas instrucciones, usted está aceptando estar sujeto a las disposiciones contenidas en este párrafo. Estas instrucciones proporcionan un método ilustrativo para instalar los gabinetes y/ o accesorios de American Woodmark Corporation ("AWC"). Las instrucciones de AWC no tienen por objeto resolver toda contingencia posible que pudiera presentarse durante la instalación ni recomendar el uso de una herramienta en particular. POR LA PRESENTE, AWC RENUNCIA EXPRESAMENTE A TODA RESPONSABILIDAD POR CUALQUIER RECLAMACION POR LESIONES O FALLECIMIENTO DERIVADOS DEL USO DE ESTAS INSTRUCCIONES DE INSTALACION Y DE OTRAS INSTRUCCIONES DE INSTALACION QUE AWC HAYA PROPORCIONADO DE ALGUNA OTRA FORMA.

Range Hood Ventilator (RHVENT 960) Installation Instructions

CARE AND USE MANUAL FOR:
BUILT-IN RANGE HOODS



Models covered by this instructions:
SU900 - SUT900 - SUE900 - SU901 - SU902 - SU903
SU908 - SU906 - SU913 - SU923 - SUE923

*** BEFORE INSTALLATION ***

ENSURE THERE IS NO VISIBLE OR HIDDEN DAMAGE SUSTAINED
DURING SHIPPING

*** SHIPPING DAMAGE ***

MUST BE REPORTED WITHIN 5 DAYS OF RECEIPT



WARNING

*Thank you for purchasing a Sirius Range Hood.
Please read all the instructions in this manual before
installing the appliance.*

Save these instructions for future reference.

Only use this appliance as an exhaust ventilation system for the removal of cooking vapors. **DO NOT** use to expel flammable substances or any other materials or vapors.

The installation procedures in this manual are intended for qualified installers, service technicians or persons with similar qualified background.

DO NOT attempt to install this appliance yourself.

Ensure that electrical power is turned off at source before commencing installation. All electrical wiring must be properly installed, insulated and grounded and conform to all applicable codes and standards.

Make sure all existing duct work is clean of grease build up, or duct work should be replaced, if necessary, to avoid the possibility of a grease fire. Check all joints on ductwork to ensure proper connection and all joints should be properly taped. Be careful when cutting through ceilings or walls not to damage any hidden pipes or electrical wiring. Ensure your kitchen has sufficient air return vents to replace the exhausted air.

The minimum distance between the cooker surface and the inferior part of the cooker hood must be of 650 mm.

Fan ducts should always be vented to the outside of your home and never into spaces within walls, ceilings, lofts or attics. Only use rigid, smooth steel for ducting. The exhaust point of the blower requires a 6" or 8" round connection.

TABLE OF CONTENTS

BEFORE YOU BEGIN	4
DUCTING	4
External venting Requirements	4
Duct Run Calculation	5
ELECTRICAL	5
Electrical Supply	5
INSTALLATION	6
Applications	6
Connecting Electricity and Ducting	8
Re-Circulating Requirements	9
OPERATING PROCEDURES	10
General Advice	10
Functions	10
MAINTENANCE	12
Cleaning the Filter	12
Cleaning the Hood	12
Replace led lamp	13
WARRANTY	16

BEFORE YOU BEGIN

The manufacturer declines all responsibility in the event of failure to observe the instructions given here for installation, maintenance and suitable operation of the product. The manufacturer further declines all responsibility for injury due to negligence and the warranty of the unit automatically expires due to improper maintenance and/or installation.

BEFORE YOU BEGIN: It is advisable to test run the range hood before installation.

BEFORE STARTING – please read this entire document and ensure you are fully conversant with the requirements and limitations. These units weigh approximately 125lbs and therefore require a minimum of two people to install.

DUCTING

(Not applicable if the range hood is used in re-circulating mode).

WARNING: Do not vent this appliance into any other ductwork, spaces between walls, ceilings, attics, garages or any other confined space.

External Venting Requirements.

When planning new ductwork, always look for the most direct route to the outside. Venting can be done through the roof or directly through the back outside wall. (See Figure 1 and 2) Only use rigid type metal ducting (plastic ducting is generally not permitted by code). Flexible ducting could restrict airflow by up to 50%.

Always fasten connections with sheet metal screws and tape all joints with certified Silver Tape or Duct Tape. Do not use screws to fasten ductwork to the hood, only use tape as the screws will stop the dampers from opening and your hood will not work. This hood requires a 6" if it's gas or gas cook top 8" is recommended round duct outlet. You can increase the duct size of the duct run but never decrease it. Use the shortest and most direct route possible. Always, wherever possible, reduce the number of transitions and turns with as few sharp angles as possible. Two staggered 45 degree angles are better than one 90 degree. Make these turns as far away from the motor exhaust as possible, with as much space between each bend. Need 18" from the hood to the first elbow.

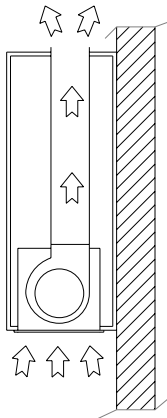


fig. 1

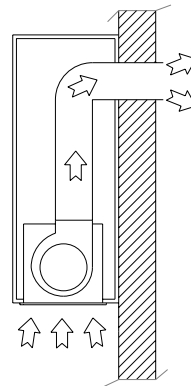


fig. 2

Duct Run Calculation.

The maximum duct run before effecting the performance of the hood is 100'. Calculate your duct run by measuring linear feet and adding the elbows, transitions and caps based on the table below.

Maximum Run	
6" or 3 1/4 x 10" duct *	100 FT
Deduct	
Each 90 elbow used	15FT
Each 45 elbow used	9FT
Each 6" or 3 1/4 x 10" duct	
Transition used	1FT
Each 3" 1/4 x 10" to 6"	
Transition used	5FT
Side Wall with damper	30FT
Roof Cap	30FT

* Gas range or gas cook top should be 8".

The ducting connection to the hood must be in line with the central vertical axis of the range hood 1" away from the back wall on which the hood is to be mounted.

Range hoods may interrupt the proper flow of combustion gases from fireplaces, gas furnaces and gas water heaters.

To minimize the risk of drawing these lethal gases back into the home, please follow the heating equipment manufacturers safety standards and guidelines carefully.

Refer to NFPA and ASHRAE for additional information.

ELECTRICAL

WARNING: All electrical work must be performed by a qualified electrician.

Please ensure that the appropriate electrical codes or prevailing local building codes and ordinances are adhered to.

Ensure that the electricity supply is disconnected at source. Do not use an extension cord or adapter plug with this appliance.

This appliance must be grounded. Connect to a properly grounded branch circuit, protected by a 15 amp circuit breaker.

Electrical Supply.

This appliance requires 120V/60Hz, 3amp electrical supply-ensure an appropriately qualified person completes the electrical hook-up. The connection point for the electrical supply is at the top of the unit, therefore the electrical supply must be run down from the ceiling alongside the ductwork.

All electrical and venting hook-ups must be in place before commencing installation of the hood-fan.

INSTALLATION

The minimum distance between supporting surface for the cooking vessels on the hob, and the lowest part of the range hood shall be at least 30".

Applications

The **SU900, SUT900, SUE900** can either be installed inside a wall cabinet (provided the inside depth is greater than 11") or used in a custom designed wooden hood. Where installed directly into a wall cabinet, there are two options:

Directly into the cabinet without any form of hood. Directly into the cabinet together with Sch31A where the Sch31A acts as a liner hood and is attached to either the underside of the cabinet or into the sides of the cabinets alongside.

The **SU901** can either be installed inside a wall cabinet or used in a custom designed wooden hood. Where installed directly into a wall cabinet, there are two options:

Directly into the cabinet or directly into the cabinet together with the adjustable Pro liners where the adjustable Pro liners act as a cabinet protection against the heat. The depth of the adjustable pro liners can vary from 23.5" to 25.9").

The **SU902, SU903, SU906, SU913** can either be installed inside a wall cabinet or used in a custom designed wooden hood.

Depending on which model is used, prepare a cut-out in the underside of the wooden hood to allow the powerpack to fit up into the hood using the following dimensions:

SU900, SUT900, SUE900 20" 10³/₈ X 19" 19³/₃₂

SU900, SUT900, SUE900 27" 10³/₈ X 26" 11¹/₁₆

SU901 32" 13³/₃₂ X 16" 3¹/₁₆

SU902 10" X 26" 1/2

SU903 27" 9" 15¹/₁₆ X 25" 9¹/₁₆

SU903 36" 9" 15¹/₁₆ X 33" 7¹/₁₆

SU908 12" 5⁸/₈ X 26" 2²/₂

SU906 33" 15³/₃₂ 10" 14³/₃₂ X 32" 14¹/₁₆

SU906 20" 15³/₃₂ 10" 14³/₃₂ X 18" 19³/₃₂

SU913 20" 15³/₃₂ 10" 3⁸/₈ X 19" 49⁶/₆₄

SU913 30" 23³/₃₂ 10" 3⁸/₈ X 30" 5⁶/₆₄

SU923-SUE923 20" 19" 7⁸/₈ X 10" 5⁸/₈

SU923-SUE923 27" 26" 31³/₃₂ X 10" 5⁸/₈

If Sch31A or a Pro Liner are being used, they can be held up under the cabinet and used as a template.

If Sch31A or a Pro Liner are to be used for under cabinet application, they should be installed now.

Installing a SCH31A with SU900 - SUT900 - SUE900.

Hold the Sch31A under the cabinet and Screw it to the 4 hole locations. Make sure it lines up with the cut out in your cabinet. The power pack has pressure springs (to be adjusted) on the front and back that will “hook” onto the top surface of the underside of the hood when it is pushed up into the hole that has been cut out (refer to figure 3).

Installing SU900 - SUT900 – SUE900 without a SCH31A.

The power pack has pressure springs (to be adjusted) on the front and back that will “hook” onto the top surface of the underside of the hood when it is pushed up into the hole that has been cut out (refer to figure 3).

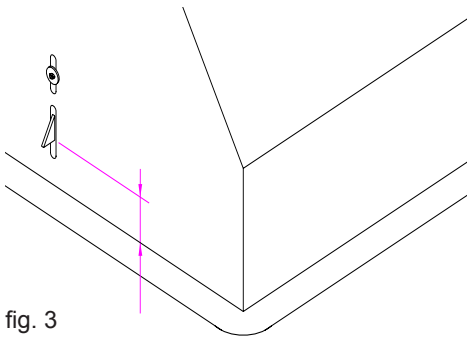


fig. 3

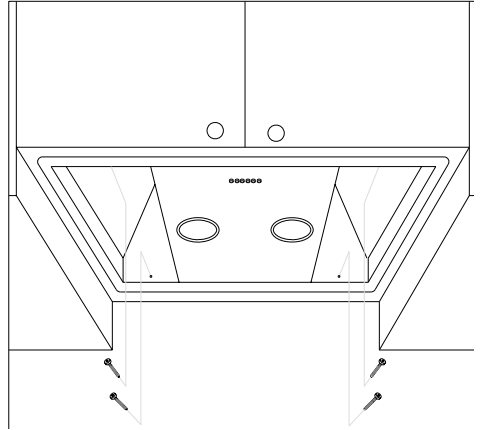
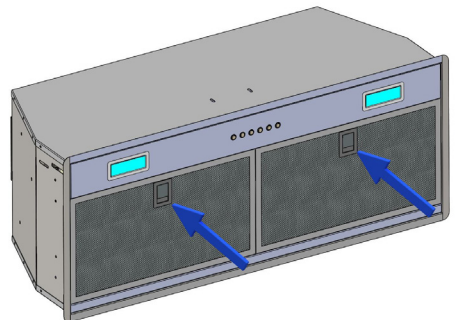
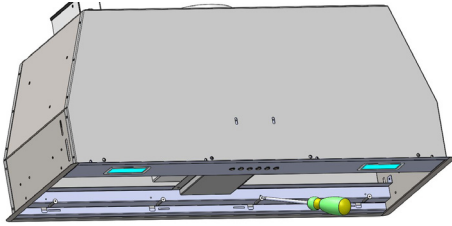


fig. 4

Installing SU923 - SUE923

Before installing the appliance, remove the metal grease filter. It can be removed by pushing its special handle toward the backside of the cooker hood and turning the filter downwards so to unfasten it from its slot (refer to figure). The power pack has pressure springs (to be adjusted) on the front and back that will “hook” onto the top surface of the underside of the hood when it is pushed up into the hole that has been cut out (refer to figure 3). There are eight holes on the inside of the SU923 - SUE923 to fit the unit into the edge of the base of the wooden cabinet (refer to figure).





Installing a Adjustable Pro Liner with SU901. Once the cut out has been done install the Adjustable Pro Liner and make sure it lines up with the cut out in your cabinet. Screw it to the 4 hole locations (refer to figure 5).

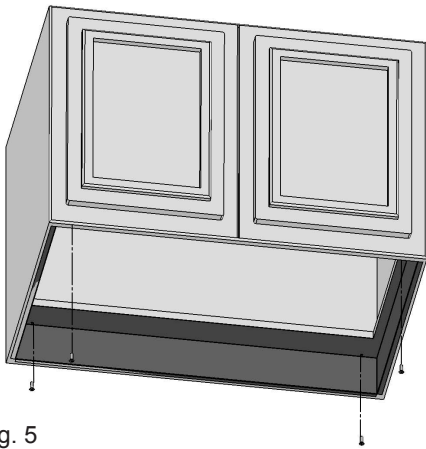
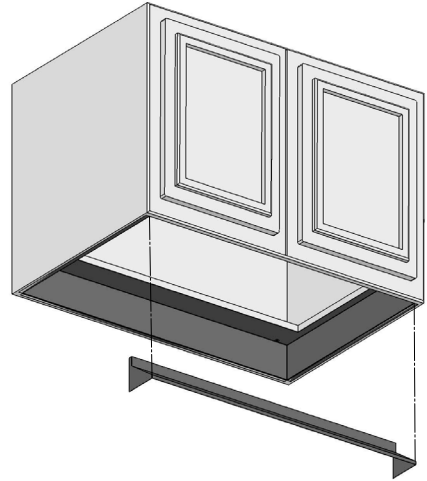


fig. 5

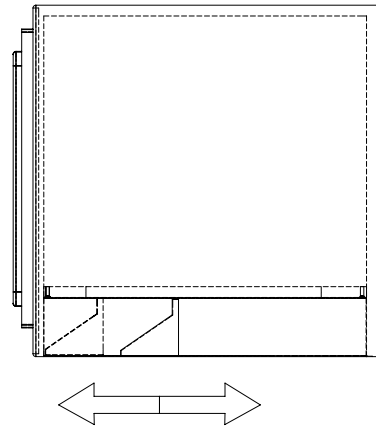


fig. 6

Install the front part of the liner adjusting it to the depth of the cabinet. (refer to figure 6).

Screw it to the 3 hole locations. **Attention:** be sure the cabinet has a minimum thickness of 0.75" on the 4 sides.

The power pack has pressure springs (to be adjusted) on the front and back that will “hook” onto the top surface of the underside of the hood when it is pushed up into the hole that has been cut out (refer to figure 3).

Installing SU902. The power pack has pressure springs (to be adjusted) on the front and back that will “hook” onto the top surface of the underside of the hood when it is pushed up into the hole that has been cut out (refer to figure 3).

Installing SU903. Before installing the unit, open the central panel (see figure 7) and remove it (see figure 8).

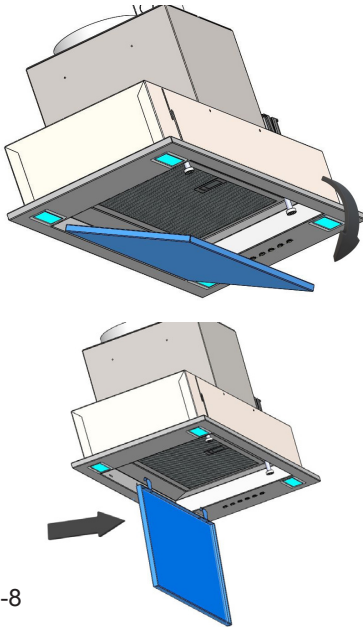


fig. 7-8

The power pack has pressure springs (to be adjusted) on the front and back that will “hook” onto the top surface of the underside of the hood when it is pushed up into the hole that has been cut out (refer to figure 9).

There are six holes on the inside of the SU903 to fix the unit into the edge of the base of the wooden cabinet (refer to figure 10).

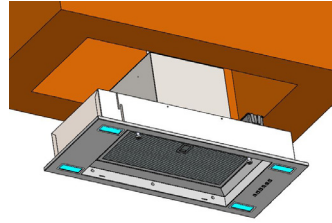


fig. 9-10

INSTALLING SU908

There are four holes on the inside of the SU908 to fix the unit into the edge of the base of the wooden hood (refer to figure 4).

Connecting Electricity and Ducting.

Please refer to the Electrical Supply section on page 2 for the required location of the electrical supply.

CAUTION: Make sure the power is turned off at source. Make electrical connections (refer to Figure 11). Ensure that the plastic flaps at the exhaust outlet for the fan move freely and have not become jammed or stuck.

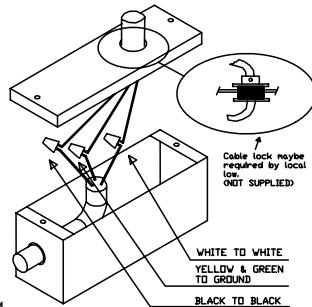


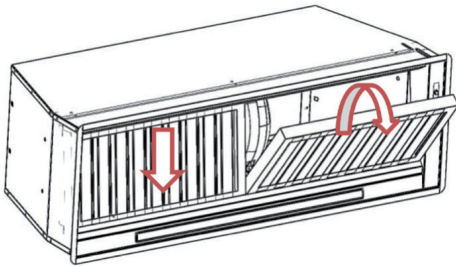
fig. 11

INSTALLATION SU906

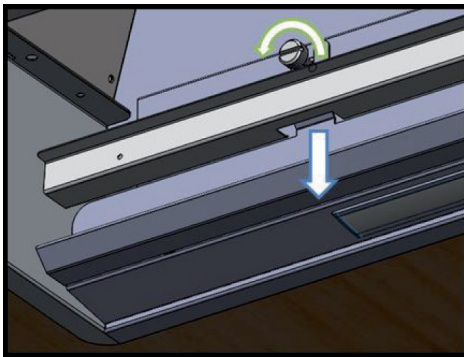
Before installing the appliance, make sure that none of the parts is damaged in any way. In case of damaged parts, contact your retailer and do not proceed with installation. Read all of the following instructions with care before installing the appliance.

The LED bar of the range hood are supplied in the packaging, and you need to assemble them at the end of the installation.

- Before installing the appliance, remove the metal grease filter and the oil collector. This filter could be removed by pushing the handles towards the back side of the cooker hood and turning it downwards to unfasten it from its slot.).



To remove the oil collector, loosen the two screws as indicated.



To install the appliance please respect the follow instructions.

The appliance must be install by competent authorities. In order to do not damage the electronic parts of the appliance please do not use added screws.

Essential precautions to respect before installing the appliance are the following:

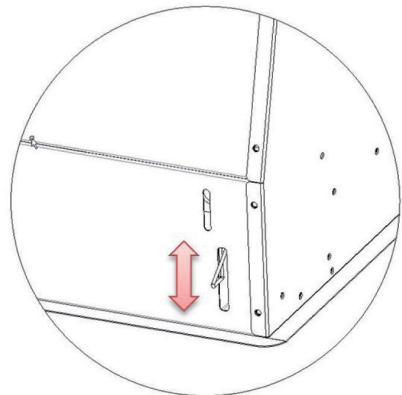
- Prepare the power supply.
- Prepare a hole for the exhaust of the air both in the filtering and in the exhau sting version.
- Do not use screws to fix the outlet pipe to the cooker hoods.
- Avoid abrupt direction changes.

To have made a cut-out on the bottom of the cabinet which is suitable to hold the appliance in position.

SU906 20"15/32 10"3/8 X 18"19/32

SU906 33"15/32 10"3/8 X 32"14/16

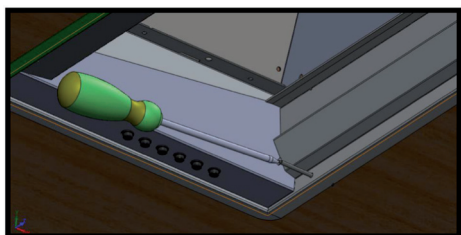
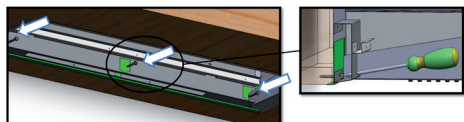
Right now, after drilling the kitchen cabinet please follow carefully the instructions above, calibrate the fixing spring depending on the depth of cabinet.



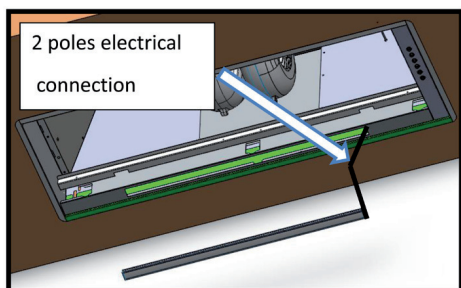
At this point, insert the range hood inside the kitchen cabinet until the fixed springs will be hooked into.

Fix the range hood to the cabinet, in the front and rear sides, using by the screws equipped.

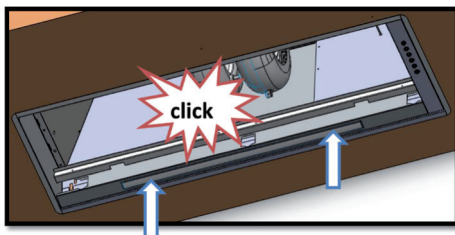
To fix the hood on the rear side apply the screws on the holes of oil container as on pics indicated and fasten the screws.



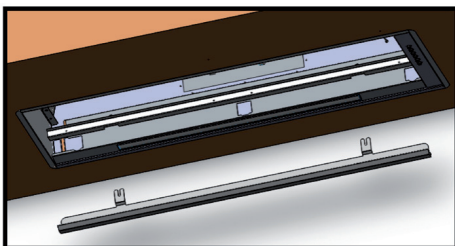
When the screws have been fastened, take the LED bar and connect the two pin connector.



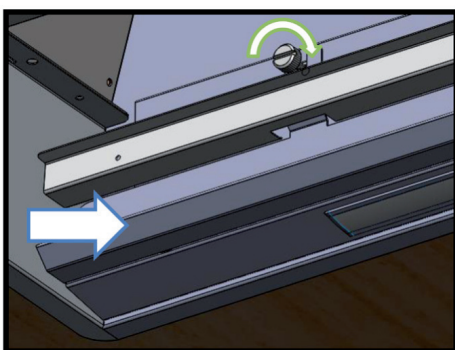
Insert the LED bar on the appropriate hole until it will be hooked into.



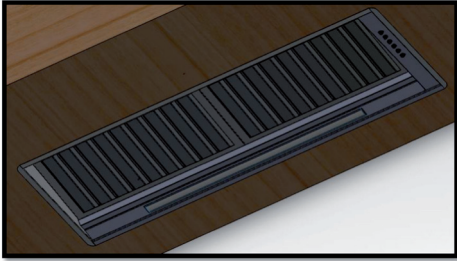
At this point take the oil container and hook it on the appropriate hole of the hood. Please be careful not to scratch and damage the product.



Fix the oil container fixing the pommels of range hood.

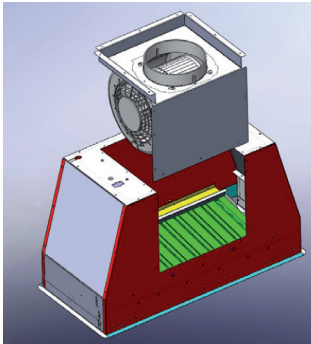
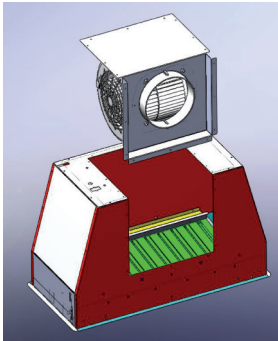


At the end, place the grease filters that were removed before.



Rear vented version

All the models with one motor can be rear vented; if the customer wants to use this option, it is necessary to remove the 18 screws from the motor group support. Then take the metal support with motor included out. Turn the motor to have the air outlet on the rear side and fix the screws previously removed.



Connect the appropriate length of ducting to the fan exhaust point and join up with the ducting to the exterior.

Do not fix the ducting to the range hood exhaust outlet with screws-use duct tape. Use duct tape on all joints.

Re-Circulating Requirements.

If the unit is to be used in the recirculating mode, fit the carbon filters after the installation is complete (refer to Figure 12).

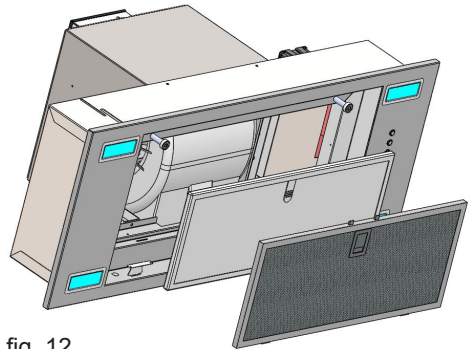


fig. 12

The carbon filter fits in behind the aluminium grease filter. Ensure that the plastic tabs on the carbon filter are facing outwards otherwise it will be difficult to remove it later for replacement.

A short length of ductwork must be connected from the exhaust outlet on the fan to wherever the air is to be exhausted.

Allow sufficient space to connect the ductwork to the top of the exhaust outlet on the fan housing. Do not fix the ducting to the range hood exhaust outlet with screws, use duct tape. Duct tape should be used on all joints.

OPERATING PROCEDURES

Read all the instructions before operating the appliance. Save these instructions for future reference.

General Advice.

Ensure that the grease filters are in place. Without these components, operating blowers could catch on to hair, fingers and loose clothing. Keep fan, filters and surfaces clean of grease and fat. Always turn hood fan ON when cooking. NEVER leave cooking unattended.

NEVER dispose cigarette ashes, ignitable substances or any foreign objects into blowers.

Cooking that generates flame is not recommended as this hood is equipped with a thermal overload that will shut down the motor if it senses excessive heat. When frying, oil in the pan can easily overheat and ignite. Heat oil slowly in an appropriately sized pot (covering the entire burner) to reduce the risk of boiling over and burning.

In the event of a range top grease fire, observe the following:

Switch OFF the range hood. Turn off the cook top then smother flames with a close fitting lid, cookie sheet or other metal tray. If the flames do not go out immediately.

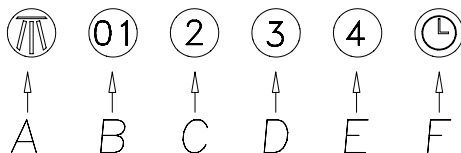
EVACUATE AND CALL THE FIRE DEPARTMENT.

Never pick up a flaming pan – you may be burned. DO NOT USE WATER including wet dishcloths or towels, as a violent steam explosion may occur.

FUNCTION

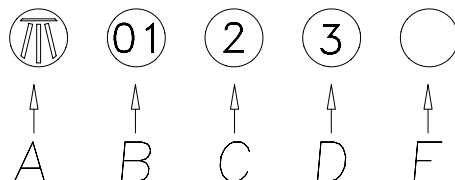
SU900-SU901-SU902-SU903-SU908-SU906-SU913-SU923

- A: Light ON/OFF button
- B: Blower Speed 1 (low) or OFF
- C: Blower Speed 2 (medium)
- D: Blower Speed 3 (high)
- E: Blower Speed 4 (intensive)
- F: 10 Minute Timer



SUE900-SUE923

- A: Light ON/OFF button
- B: Blower Speed 1 (low) or OFF
- C: Blower Speed 2 (medium)
- D: Blower Speed 3 (high)
- E: Hood in operation light



RC001

RADIO CONTROL

Radio control used for the remote operation of ducted cooker hoods.

TECHNICAL DATA

- Alkaline battery powered: 12 V mod. 23 A
- Operating frequency: 433.92 Mhz
- Combinations: 32.768
- Max. consumption: 25 mA
- Operating temperature: -20 ÷ + 55 °C
- Dimensions: 120 x 45 x 15 mm.

OPERATING DESCRIPTION

The transmitter is equipped with 5 buttons for cooker hood management, as specified below:

- ☀ : Light ON/OFF command.
- ⏻ : Motor ON (speed level 1) / OFF command.
- : Reduce speed.
- + : Increase speed.
- ⌚ : 10-minute timer.

INITIAL OPERATING CONDITION

The manufacturer supplies the radio control unit ready to be used with codes preset in the Factory



OPERATION MODE

Standard configuration:

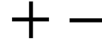
Standard configuration requires all “cooker hoods – radio control - system” to be provided with the same transmission code. In the event two cooker hoods – radio control system are installed in the same room or nearby, each system may affect the operation of the another. Therefore, the code of one radio control system must be changed.

Generating a new transmission code:

The radio control system is provided with preset codes. Should new codes be required, proceed as follows: Press simultaneously buttons:



for two seconds. When Leds light on, press buttons:



(within 5 seconds). Leds flashing 3 times indicate the procedure is completed.

WARNING! This operation deletes permanently the preset codes.

Learning the new transmission code:

Once the transmission code is changed in the radio control unit, the electronic central unit of the cooker hood must be made to set the new code in the following way:

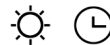
Press the main power-off button of the hood and then restore power to the electronic control unit. Within the next 15 seconds, press the Light Button ☀ to synchronise the central unit with the code.

Reset of the Factory configuration:

To restore the Factory configuration, follow the procedure described below: press simultaneously buttons:



for 2 seconds. When Leds light on, press buttons:



(within 5 seconds). Leds flashing 6 times indicate the procedure is completed.

WARNING! This operation deletes permanently the preset codes.

Emergency button:

In the event that the radio control does not work, use the emergency button to switch the appliance off. After any necessary repairs have been performed, reset the emergency button.

WARNING

The battery should be replaced every year to guarantee the optimal range of the transmitter. To replace the exhausted battery, take the plastic lid off, remove the battery and replace it with a new one, observing the correct battery polarities. Used batteries should be discarded in special collection bins.

The below product:
RC001 Radio Controll
complies with the specifications set out in the
Directive RED 2014/53/EU.



WARNING

Any adjustments or modifications which have not been expressly approved by the holder of the legal conformity certificate may invalidate the user's rights relating to the operation of the device.

Rev. 0 26/08/14

The products are endowed with an electronic device which allows the automatic switching off after 4 hours working from the last operation.

Warning The battery should be replaced every year to guarantee the optimal range of the transmitter. To replace the exhausted battery, take the plastic lid off, remove the battery and replace it with a new one, observing the correct battery polarities. Used batteries should be discarded in special collection bins.

Filter requires washing indicator: after 30 hours of use, all the buttons will light up to remind you that the grease filter should be cleaned. Follow the instructions for cleaning filters in this booklet. Once the grease filters have been cleaned and replaced, reset by pressing the timer button (F). Do not rely solely on this indicator. Generally, the grease filter should be washed on a regular basis to avoid grease filter fires.

The blower should be turned on for approximately 5 minutes before cooking in order to establish air currents upward through the hood. Use the low speeds for normal use and the higher speeds for strong odors and fumes.

MAINTENANCE

The hood-fan should provide many years of trouble free service provided it is maintained properly.

Cleaning the Filter.

Clean the grease filter either by carefully hand washing, (so as not to damage the filter design) or, preferably in a dishwasher. Depending on use, the filters should be cleaned at least every two weeks in a dishwasher.

If a carbon filter has been fitted this must be replaced at least every 6 months as a minimum. Depending on cooking style and nature of cooking (greasy foods, fry's, curries etc) would probably require more frequent replacement - if odors start to manifest themselves when cooking it is time to replace the carbon filter . We suggest you retain a spare set. These can be ordered from the supplier of your range hood.

Cleaning the Hood.

Cleaning of the internal parts should be done with a clean damp (not excessively wet) cloth together with regular household detergent. The external stainless steel elements should be cleaned with a good quality foaming stainless steel cleaner. Read the manufacturers directions. Generally they recommend that the foam be sprayed onto a clean dry cloth and then applied to the stainless steel. Allow the foam to react on the surface for a few minutes and then wipe with a clean dry cloth.

On the surfaces that are exposed directly to heat from the cook-top, it is advisable to clean these on a regular basis to avoid the marks from becoming baked on.

Do not under any circumstances use an abrasive type cleaner as this will scratch and damage the stainless steel finish. Glass components should be cleaned with a product such as Windex.

Replace led lamp SU900–SUT900- SUE900-SU901–SU902-SU908

To replace the led lamp, remove the lamp (Fig. 15) inserting a screwdriver or another sharp tool between the lamp and its chrome support and replace it with a lamp of the same kind.



fig. 15

Replace the led lamp SU903-SU923- SUE923

Before replacing the led lamp switch off the appliance using appropriate tools and then remove the led lamp from its slot (Fig. 16).

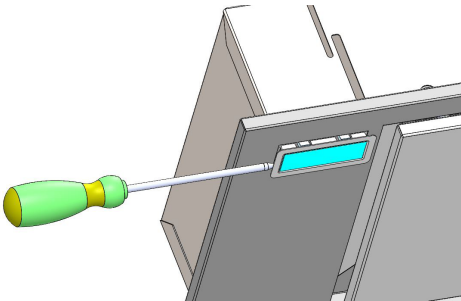


fig. 16

Take out the led lamp from its connector and replace it with an another one with similar characteristics.

To find the correct led lamp please check on the replacement part list.

If the supply cord is damaged, it must be replaced by the manufacturer or its service agent or a similarly qualified person in order to avoid a hazard.

Substitution of the LED bar for SU906 - SU913:

Using an appropriate tool, remove the LED bar from its seat, (Fig. 17) disconnect it electronically using the appropriate connector then substitute it with a LED bar with same characteristics.

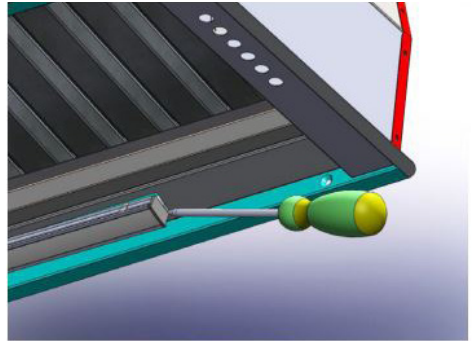


fig. 17





Three Year Limited Warranty

YOU MUST REGISTER THE PURCHASE OF YOUR PRODUCT ON LINE AT www.siriuscappe.com/usa/warranty.htm TO CONVALIDATE YOUR WARRANTY.

YOU CAN FIND THE DATA OF YOUR HOODS ON A LABEL INSIDE THE HOOD. JUST REMOVE THE GREASE FILTER TO READ IT.

WARRANTY SERVICE

To qualify for warranty service, you must notify Sirius After sale service at the email address stated below or call toll free USA 1-877-474-8770 and provide the model number, description of the fault or defect and original date of purchase. Sirius reserves the right to request proof of original purchase. Sirius will at its sole option and discretion replace products that arrive damaged through shipping, provided shipping damage is reported as stated above **WITHIN 5 BUSINESS DAYS OF RECEIPT** of the shipped product or products.

ONE YEAR SERVICE REPAIR WARRANTY:

During the first year from date of original purchase, Sirius will, at its option, repair or replace, without charge, any product or part which is found to be defective under normal use and service.

THREE YEAR PARTS WARRANTY:

For three years from date of purchase, Sirius will provide free of charge, non-consumable replacement parts which are found to be defective under normal use and service.

WHO IS COVERED:

Sirius warrants to the original consumer purchaser of its products that such products will be free from defects in materials and workmanship for a period of three years from the original date of purchase. There are no other warranties, express or implied, including, but not limited to, implied warranties of merchantability or fitness for a particular purpose or application.

WHAT IS NOT COVERED:

This warranty does not extend to filters, lamps, batteries, ducts and ductwork components. This warranty does not cover normal maintenance and service or products or parts which have been subject to misuse, negligence, accident, improper maintenance or repair, faulty installation or installation contrary to recommended installation instructions. The warranty on glass screens is limited to manufacturing defects only and expressly excludes cracks and breakages as a result of faulty installation. *Labor and associated costs associated directly with removal and re-installation are expressly excluded.*

The duration of any implied warranty is limited to the three year period as specified for the express warranty. Some states and provinces do not allow limitation on how long an implied warranty lasts, so the above limitation may not apply to you.

Sirius S.P.A.

Zona industriale Berbentina 6/A
60041 SASSOFERRATO (AN)
ITALY

Sirius after sale service

Telephone (toll free): 1-877-474-8770
Email: Sirius@adcoservice.com

Register Online! www.siriuscappe.com/usa/warranty.htm



Range Hood Blower Mounting Methods

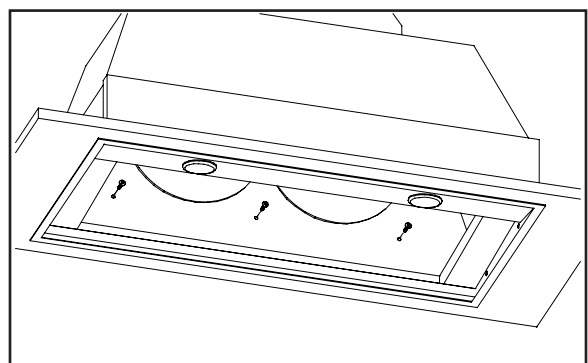
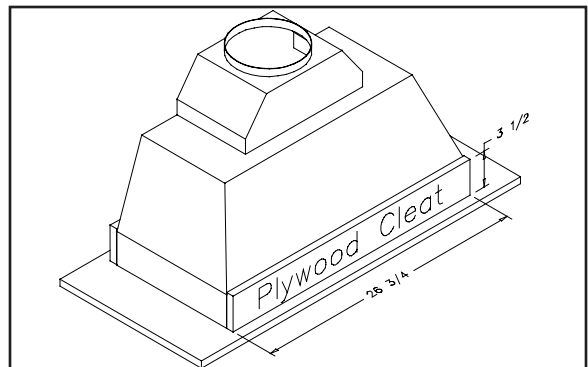
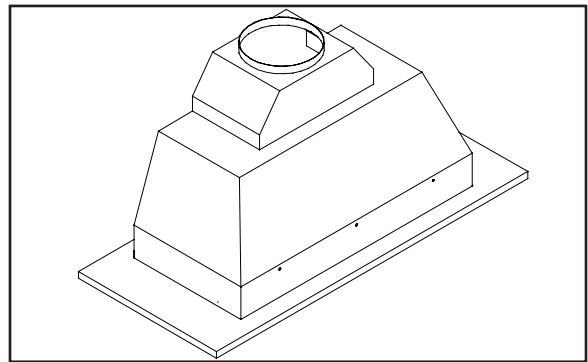
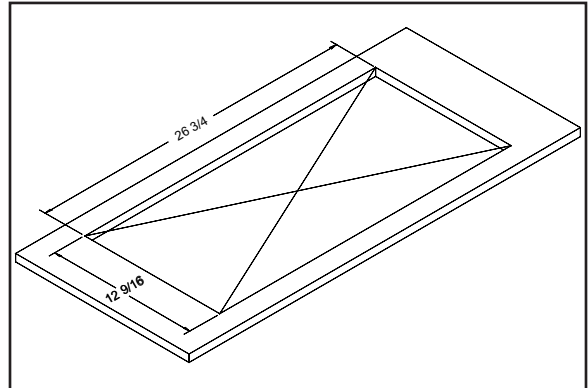
Step 1: Cut out a rectangular hole 12 9/16" x 26 3/4" in the cabinet bottom or shelf in which you are installing the Range Hood Blower Unit. The shelf or cabinet bottom should be 1/2"-3/4" thick and be able to support 50 pounds.

Step 2: Cut 2 plywood cleats approximately 3 1/2" x 26 3/4". These can be made from the cut-out in the shelf or cabinet if it is plywood. Particle board or MDF cleats are not recommended.

Step 3: Remove the Filters/Baffles and fit the Blower Unit up through the hole.

Step 4: While the Blower Unit is held up tightly inside the opening, screw the Blower unit to the cleats, using #8 x 3/4" Truss/Pan head sheet metal screws from inside the Blower through the 6 pre-drilled holes in the side of the blower

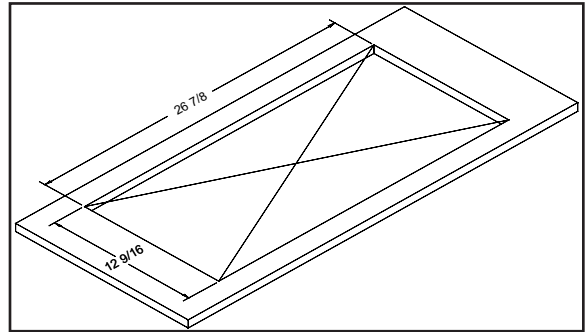
Step 4: Make sure the Blower Unit is secure in the opening and then proceed to install the Unit according to the Manufacturers instructions along with all local and national codes pertinent to your locale.



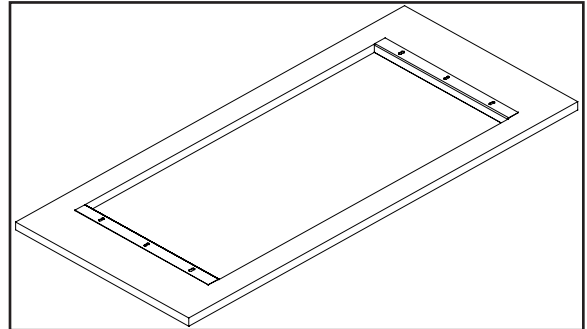
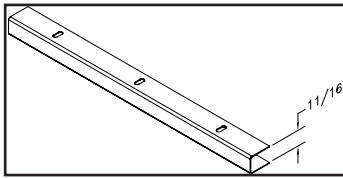
Disclaimer: This is a suggested way of mounting the Blower unit. Because of the wide array of building materials and different applications the installer is ultimately responsible for the safe installation of the Blower Unit.

Metal Brackets (These can be purchased from Omega National Products)

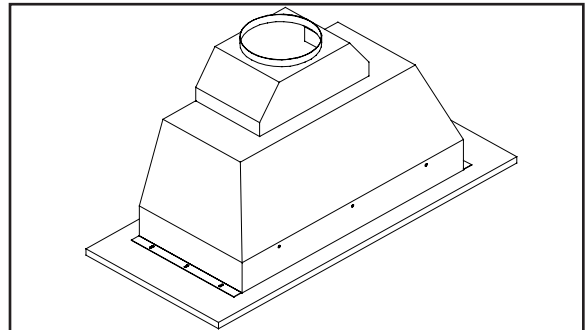
Step 1: Cut out a rectangular hole 12 9/16" x 26 7/8" in the cabinet bottom or shelf in which you are installing the Range Hood Blower Unit. The shelf or cabinet bottom should be 11/16" thick or be machined out for metal bracket and be able to support 50 pounds.



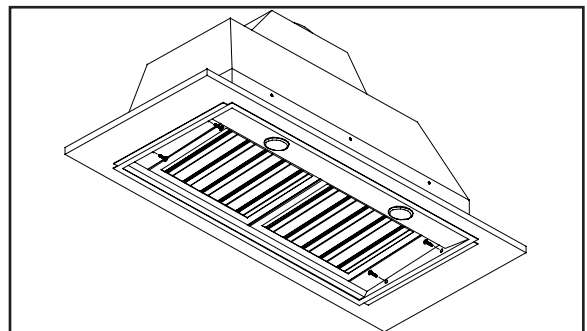
Step 2: Install metal brackets on the ends of the opening. Note that the metal bracket will show on the bottom side unless a liner is used.



Step 3: Fit the Blower Unit up through the hole.

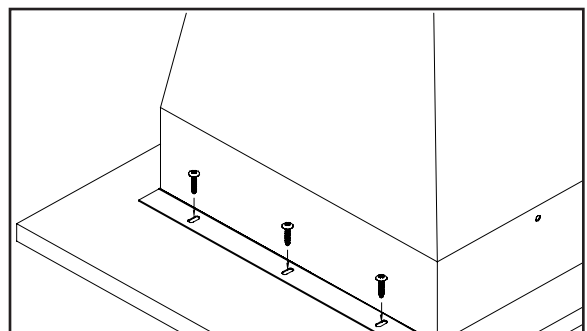


Step 4: While holding the Blower Unit firmly up inside the opening, drill four, 3/32" pilot holes through the holes in the ends of the Blower below the filters. Fasten the Blower to the Metal Brackets with four #8 x 3/4" Truss Head Sheet Metal Screws.



Step 5: From the top of the opening fasten the brackets to the shelf, making sure the Blower Unit is still centered in the opening.

Disclaimer: This is a suggested way of mounting the Blower unit. Because of the wide array of building materials and different applications the installer is ultimately responsible for the safe installation of the Blower Unit.



Omega National

PRODUCTS

1010 Rowe Street · Elkhart, IN USA 46516-5589

Phone (574)295-5353 · Fax (574)295-5329

www.omeganationalproducts.com

Form OME-085, 02/2011
©Omega National Products